

# MINISTRY OF EDUCATION, HERITAGE & ARTS

## WORKSHEET 8 YEAR 13 2021

### TECHNICAL DRAWING

#### STRAND 1: GEOMETRY

##### INSTRUCTIONS:

1. Use your exercise book to do all the questions given below.
2. All measurements are in millimeters except where stated otherwise
3. Show all construction lines clearly

NAME:
-------

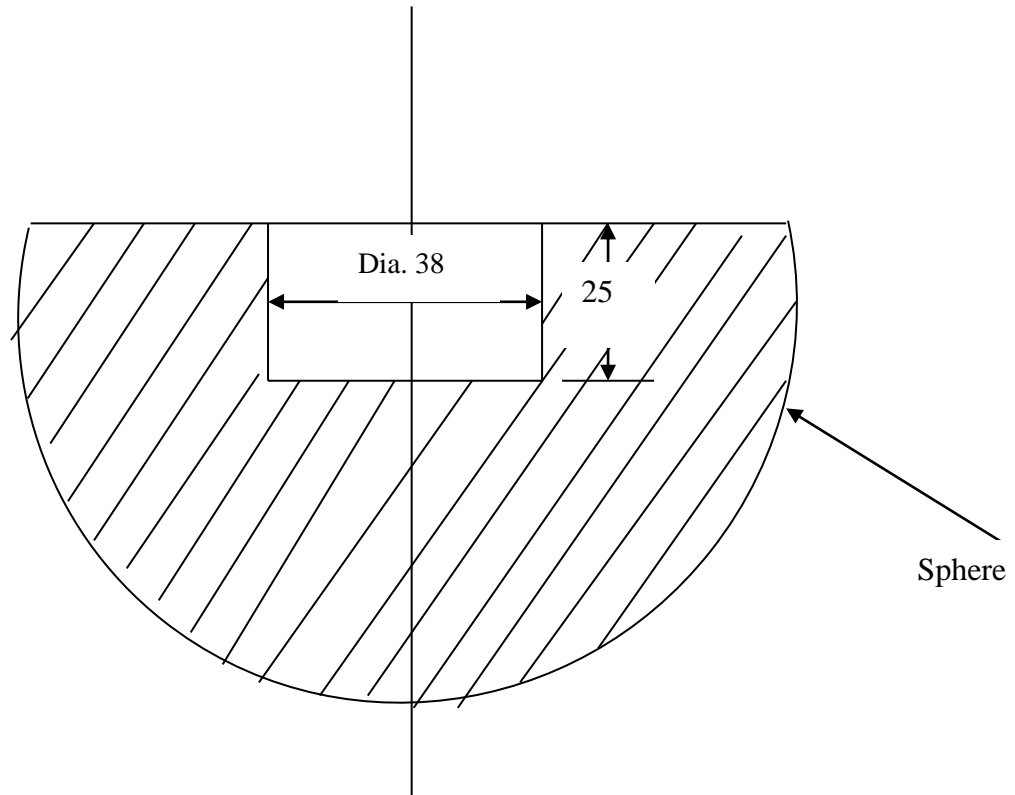
**SECTION B**

**QUESTION 1**

**(20 marks)**

**Given:** The cross section of a spherical design.

**Required:** Draw the pictorial drawing in isometric projection.  
Use the measurements given.



BQ1			
1	Correct sphere drawn	3	
2	Correct square	3	
3	Correct sphere drawn dia.38	3	
4	Correct isometric circle facing the left	3	
5	Correct isometric circle facing up	3	
6	Overall drawing	3	
7	Correct line work	1	
8	Accuracy	1	

